

DATE	PROJECT	SPECIFIER	TYPE
------	---------	-----------	------



**DESCRIPTION**

The Circadian Sky light fixture is the epitome of modern elegance and advanced technology. Inspired by the beauty of a double-pane window, it's versatile across multiple sizes, seamlessly integrating into any space. Its broad CCT range from 2,200K to 40,000K captures the full range of natural daylight. Beyond aesthetics, its impressive CRI over 92 and 1-Step Macadams Step digital calibration ensures unmatched color accuracy, making every shade come alive with precision. Further enhancing its credentials is its capability to emit light with Melanopic Ratios above 1.6, promoting well-being by aligning with our natural circadian rhythms.

With Circadian Sky, experience the fusion of style, health, and true color brilliance.

**FIXTURE LISTINGS & CERTIFICATIONS**



MODEL	SIZE	MOUNTING KIT	POWER SUPPLY	LIGHTING CONTROL	PROGRAMMING CODE	TRIM OPTIONS
CS-						
CIRCADIAN SKY	12 1X2 FT 22 2X2 FT 14 1X4 FT 24 2X4 FT 154 1.5X4 FT C1 OTHER	US UNISTRUT <sup>1</sup> GC GRID CLIPS JB JOIST BRACKETS C2 CUSTOM	INT INTEGRAL C4 CUSTOM	CSB CASAMBI DT DALI-2 DT8 DMX 2-CHANNEL DMX 10V1C 0-10V 1-CHANNEL DIM-2-WARM 10V2C 0-10V 2-CHANNEL DIM & CCT C5 OTHER	PXXXX <a href="#">GET PROGRAMMING CODE</a> P0000 <a href="#">DIMMER ONLY</a> P0002 <a href="#">DEFAULT PROGRAMMING</a>	BH BEHAVIORAL HEALTH C3 CUSTOM TRIM FINISH <sup>23</sup>

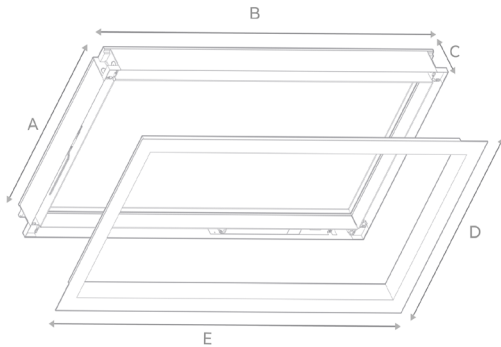
EXAMPLE: CS-154-US-WH-INT-010V-P0002

<sup>1</sup> SUPPLIED BY CUSTOMER

<sup>2</sup> FIELD-PAINTABLE

<sup>3</sup> CONTACT INNERSCENE FOR ANTI-MACROBIAL FINISH

**DIMENSIONS & WEIGHT DETAILS**



	1x2'	2x2'	1x4'	2x4'	1.5x4'
HOUSING/CUT-OUT LENGTH (A)	11-1/4"	23-1/4"	11-1/4"	23-1/4"	17-1/4"
HOUSING/CUT-OUT WIDTH (B)	23-1/4"	23-1/4"	46-7/8"	46-7/8"	46-7/8"
DEPTH (C)	3-5/6"	3-5/6"	3-5/6"	3-5/6"	3-5/6"
TRIM LENGTH (D)	11-3/4"	23-3/4"	11-3/4"	23-3/4"	17-3/4"
TRIM WIDTH (E)	23-3/4"	23-3/4"	47-3/4"	47-3/4"	47-3/4"
EFFICACY	55 lm/W	65 lm/W	64 lm/W	80 lm/W	63 lm/W
WEIGHT (LBS)	7.3	24	25.1	43.7	33.7
SHIPPING WEIGHT (LBS)	13.2	34.8	34.4	55.1	44.7
SHIPPING DIMENSIONS	30" x 18" x 9"	30" x 30" x 9"	53" x 18" x 9"	53" x 29" x 9"	-

**SPECIFICATIONS**

CRI	91 - 97
R9	84 - 98
DUV	<= 0.003 DUV(ALL CCTs)
SDCM	1 MACADAM ELLIPSE STEP
DIMMING	1-100 DIMMING RANGE
OPERATING VOLTAGE	110~277VAC 50~60HZ DC-COMPATIBLE
POWER SUPPLY	INTEGRAL TO FIXTURE, 24VDC OUTPUT
OPERATING ENVIRONMENT	0°F ~ +104°F, 30-70% RH, NON-CONDENSING
INSULATION CONTACT	IC-RATED
COLOR TEMPERATURE	TUNABLE 2,200K TO 40,000K
POWER FACTOR	>= 0.97

MOUNTING ACCESSORIES	GRID CLIPS KIT, JOIST MOUNTING KIT - OPTIONAL
PERCEPTIBLE FLICKER	NO PERCEPTIBLE FLICKER, MEETS WELL V2 FEATURE 8 REQUIREMENTS
CAMERA FLICKER	40KHZ PWM DIMING ENSURES NO FLICKER EVEN ON MOBILE PHONE CAMERAS
GLARE	MEETS WELLV2 GLARE REQUIREMENTS
RATED LIFE	L70 100,000 HOURS
ENVIRONMENTAL RATING	IP20 STANDARD
STANDARDS	TÜV CERTIFIED, ADHERES TO UL 1598 STANDARDS
WARRANTY	5 YEARS

DATE	PROJECT	SPECIFIER	TYPE
------	---------	-----------	------

**POWER LEVEL**

WELL v2 provides two methods for meeting glare requirements.

The first method involves calculating a UGR (Unified Glare Rating). UGR is only applicable to a specific space and configuration and requires the use of a lighting design software to calculate.

Fixtures that have a luminance value of 6,000 cd/m<sup>2</sup> or less do not require a UGR calculation. Innerscene provides 2 power levels for all fixtures.

The Full Power option provides the maximum light output for the fixture. The WELL Building Optimized option provides a lower maximum light output to meet the WELL v2 glare requirements without the need for a UGR calculation.

Visit our [download page](#) to obtain IES and LDT files used to calculate UGR values in lighting design software.

	1x2'	2x2'	1x4'	2x4'	1.5x4'
<b>FULL POWER</b>					
<b>WATTAGE</b>	35	45	45	75	45
<b>MAX cd/m<sup>2</sup></b>	18702	9956	11071	7640	7523
<b>MAX LUMENS</b>	2030	2610	2610	4350	2610
<b>WELL OPTIMIZED</b>					
<b>WATTAGE</b>	12	28	25	59	36
<b>MAX cd/m<sup>2</sup></b>	5931	5996	5978	5990	5984
<b>MAX LUMENS</b>	696	1624	1450	3422	2088

**FEATURES**

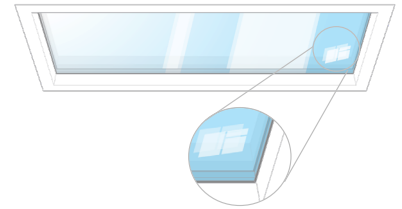
**Dual-reflectance technology**

Circadian Sky expertly replicates the characteristics of a double-pane window, employing advanced reflective technology to foster a heightened sense of depth and realism. Through the integration of a highly reflective light guide panel, a secondary reflection is induced, mimicking the distinctive double reflections found in traditional windows and enhancing the spatial perception of your environment.

**DUOGLASS™**

Innerscene proprietary multilayering of our ATMOS PLATFORM™ and ANSI-rated tough tempered glass, when combined with an integral deep regress, our Circadian Sky fixture is not only highly durable but also looks incredibly realistic when compared to a traditional double-glazed sky light.

**GLASS SAFETY STANDARDS : ANSI Z97.1-2015: SAFETY GLAZING**

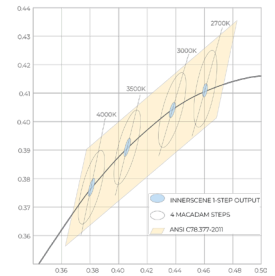


**ATMOS PLATFORM™**

Innerscene proprietary ATMOS PLATFORM™ has been in development for nearly a decade and comprises a mix of specially selected light sources providing a natural sky experience that mimics outside conditions from a warm amber of sunrise and sunset to true tones of a deep blue tropical skies while keeping color accurate throughout. The ATMOS PLATFORM™ runs on our custom logic board designed to suit the needs of installations with a variety of lighting controls such as 0-10V, DMX, DALI or Casambi.

**TRUSKY™**

Innerscene proprietary TRUSKY™ is able to deliver an industry first single-step MacAdam ellipse using specially calibrated industrial metrology devices to deliver accurate and consistent colors, far above the industry standard of 3-steps.



**TRIM**

**Field-paintable seamless uniframe**

Circadian Sky's seamless uniframe design integrates the entire front face and trim of the fixture into a single seamless snap-fit metal piece that can be easily handled on site.

The seamless uniframe allow for effortless tool-less installation and servicing of the fixture.

**Trim finishes**



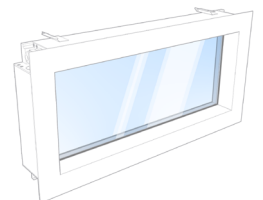
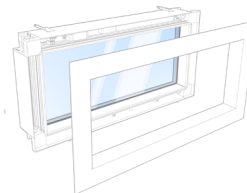
**WHITE RAL9010\***

A standard trim finished in white RAL9010 coating.



**CUSTOM**

Any color/coating to match specific needs (e.g., anti-microbial, RAL9016 30% glass).



All trims are designed to be field-paintable, ensuring seamless integration into diverse design visions.

DATE

PROJECT

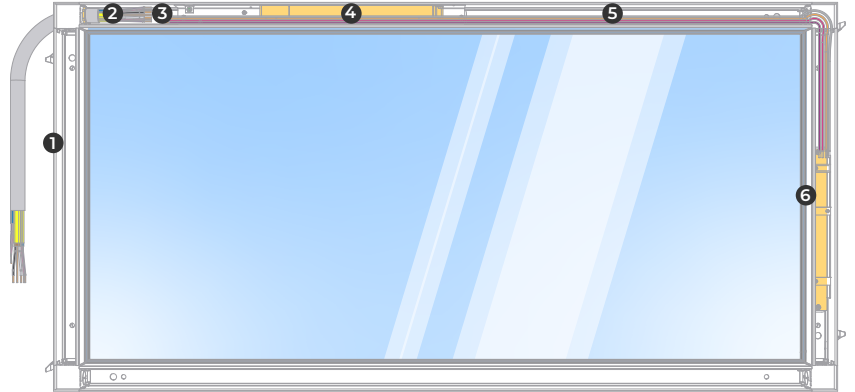
SPECIFIER

TYPE

WIRING

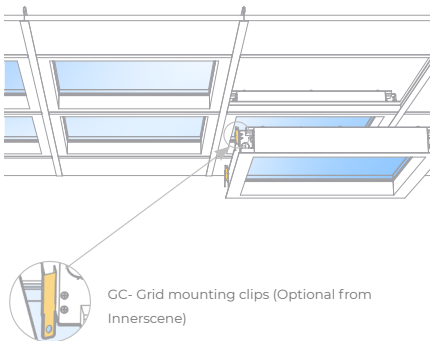
Below are the detailed wiring components and electrical elements of Circadian Sky:

1. Power or Control Wires Romex NM-B (Compatible with FMC)
2. Wire Connector to Fit 1/2" K.O. (Up To 8 x 1/2" K.O. Provided)
3. Wago Wire Connector (Supplied)
4. Power Supply (Supplied)
5. Dimming Wires (2 Channels 0-10V Shown)
6. Innerscene Circadian Sky Logic Board

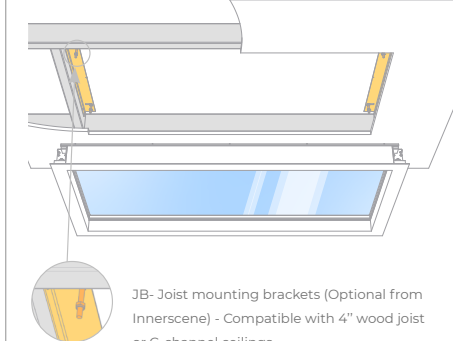


INSTALLATIONS

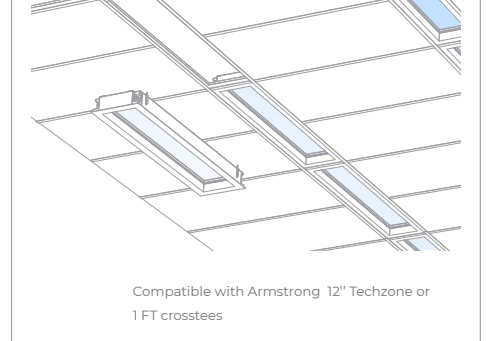
GRID CEILING



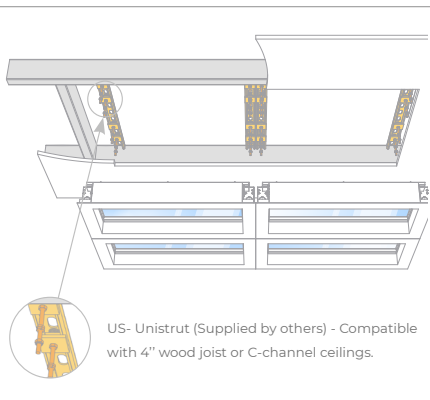
HARD CEILING



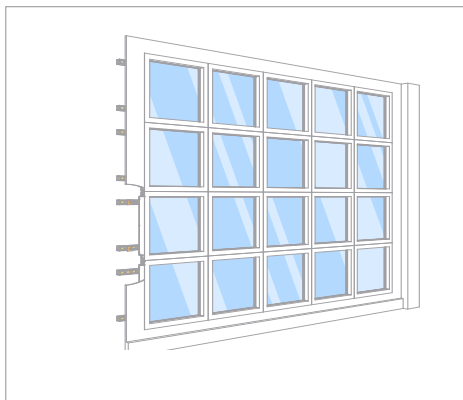
ARMSTRONG TECHZONE



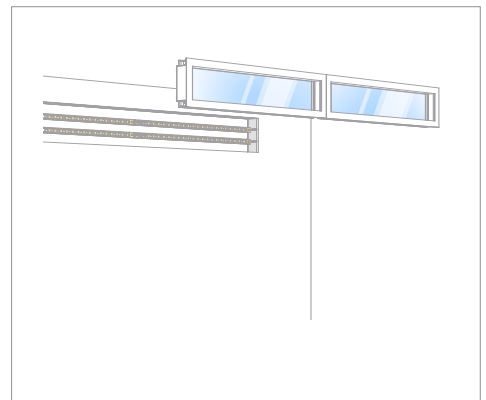
HARD CEILING ARRAYS



WALL INSTALLATION

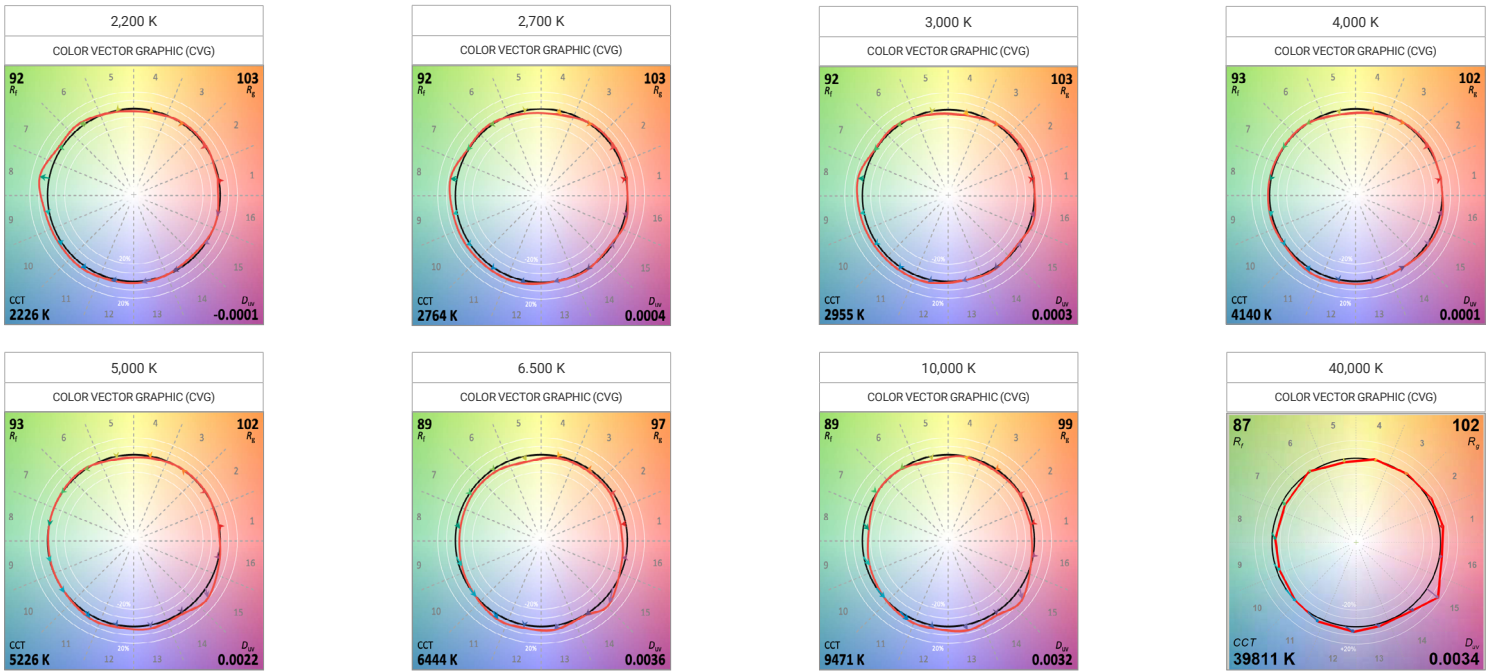


CLERESTORY INSTALLATION

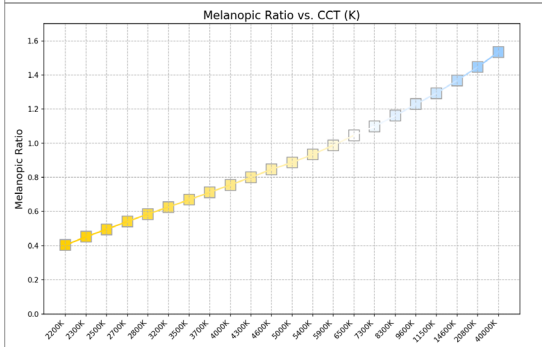


DATE	PROJECT	SPECIFIER	TYPE
------	---------	-----------	------

TM30 COLOR FIDELITY



MELANOPIC RATIO VS. CCT [K]

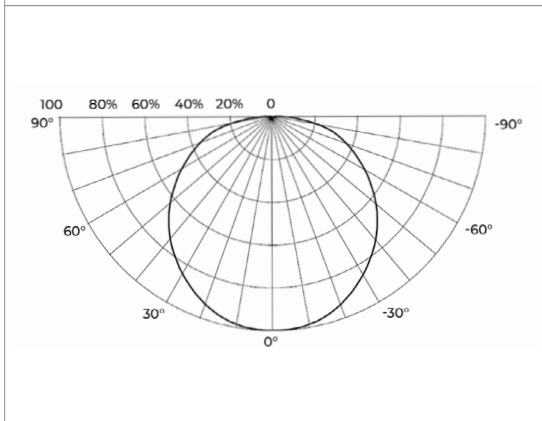


View the M/P (Melanopic) Ratio and EML for each CCT at varying intensities in the table below

CCT	2,200K	2,700K	3,000K	3,500K	4,000K	5,000K	6,500K	10,000K	40,000K
<b>M/P Ratio</b>	0.4	0.5	0.6	0.7	0.8	0.9	1.0	1.3	1.6
<b>EML (250 lux*)</b>	101	137	150	168	190	222	260	310	383
<b>EML (30 lux)</b>	12	16	18	20	23	27	31	37	46

\*Recommended stimulus target according to Circadian Lighting feature in the IWBI's

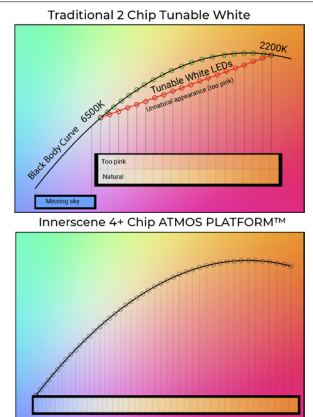
PHOTOMETRIC DISTRIBUTION POLAR CURVE



ATMOS PLATFORM™ 4+ CHIP COLOR SYSTEM

The ATMOS Platform in Circadian Sky features a four-chip LED system designed for high Color Rendering Index (CRI) and precise chromaticity control. This system uses four different LED chips/ colors to achieve accurate CIE xy coordinates, closely following the daylight locus and blackbody curves over a broad range from 2200K to 40000K.

In comparison, traditional two-chip tunable white systems incorporate only two types of white LEDs. These systems provide limited adjustable color temperature but lack the comprehensive CRI and exact CIE xy point control offered by the four-chip configuration in the ATMOS Platform. This design enables a lighting experience that more accurately replicates the variability, color, and spectrum of natural daylight.



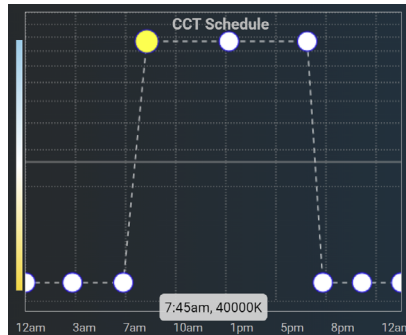
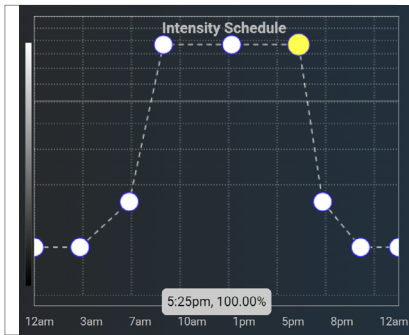
DATE	PROJECT	SPECIFIER	TYPE
------	---------	-----------	------

**PROGRAMMING CODE**

Programming Codes are used to load predefined settings and schedules onto Primary fixtures prior to shipping and on site. (\*)  
**P0000** - Dimmer Only. When selected Primary fixtures will only respond to external dimmer controls (0-10V, DMX, DALI, Casambi).  
**P0002** - Default programming. Learn more by visiting <https://innerscene.com/programCode?code=P0002>

Find/create other programming schedules by visiting <https://innerscene.com/programCode>  
 \* Secondary fixtures use Innerscene's wireless synchronization to mirror the primary unit when set to the same zone.

**PROGRAMMING CODE EXAMPLE FOR P0002 :**



Wireless Group

Idle resume

Power On State

Active Days

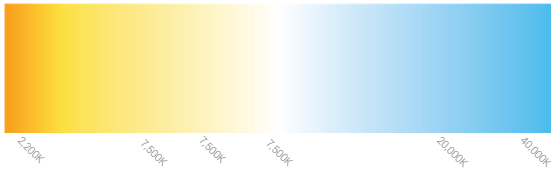
Schedule relative to  Clock  Sunrise

Timezone

**COLOR TEMPERATURE RANGE**

Colors of white light are referred to as CCT in Kelvin, lower numbers are warmer tones, higher numbers are cooler or bluer tones. There is no upper limit of Kelvin. However, in Non-Innerscene products may have blue skies with low color rendition leading to color casts which can be unpleasant.

- 40,000K : Innerscene's deepest blue sky
- 20,000K : Blue Sky
- 6,500K : Pure White - highest color temperature for commercial lighting
- 3,500 - 4,000K : Commercial White
- 2,700 - 3,000K : Warm White - comparable to bright incandescent lamps
- 2,200K : Warmest hues of sunrise or sunset



**SPECTRAL INFORMATION**

