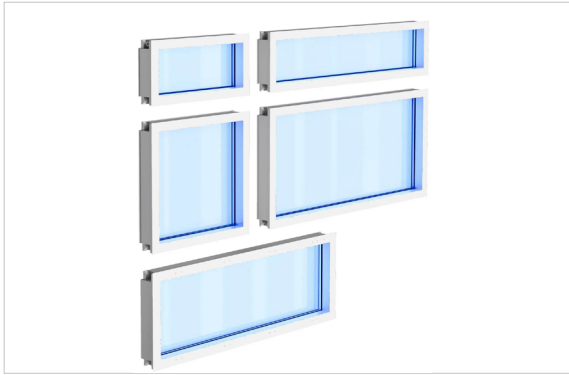


DATE	PROJECT	SPECIFIER	TYPE
------	---------	-----------	------



DESCRIPTION

The Circadian Sky light fixture is the epitome of modern elegance and advanced technology. Inspired by the beauty of a double-pane window, it's versatile across multiple sizes, seamlessly integrating into any space. Its broad CCT range from 2,200K to 40,000K captures the full range of natural daylight. Beyond aesthetics, its impressive CRI over 92 and 1-Step Macadams Step digital calibration ensures unmatched color accuracy, making every shade come alive with precision. Further enhancing its credentials is its capability to emit light with Melanopic Ratios above 1.3, promoting well-being by aligning with our natural circadian rhythms.

With Circadian Sky, experience the fusion of style, health, and true color brilliance.

FIXTURE LISTINGS & CERTIFICATIONS

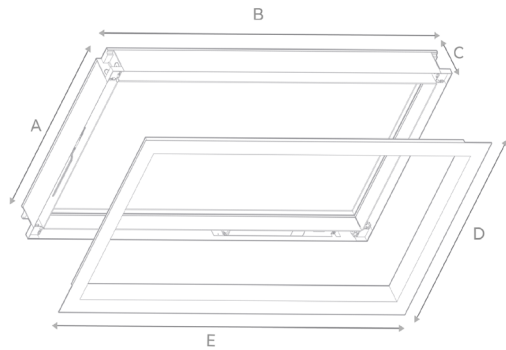


MODEL	SIZE	MOUNTING KIT	TRIM FINISH	POWER SUPPLY	LIGHTING CONTROL
CS-					
CIRCADIAN SKY	12 - 300X600 22 - 600X600 14 - 300X1200 24 - 600X1200 154 - 450X1200 C1 - OTHER	US - UNISTRUT* GC - GRID CLIPS JB - JOIST BRACKETS C2 - CUSTOM	WH - WHITE RAL9010 MATT** C3 - CUSTOM***	INT - INTEGRAL C4 - CUSTOM	CSB - CASAMBI 010V - 2-CHANNEL 010V DT - DALI-2 DT8 DMX - 2-CHANNEL DMX C5 - OTHER

PROGRAMMING CODE	POWER LEVEL
PXXXX - GET PROGRAMMING CODE P0000 - DIMMER ONLY P0002 - DEFAULT PROGRAMMING	FP - FULL POWER WO - WELL OPTIMIZED

EXAMPLE: CS-154-US-WH-INT-010V-P0002-WO *SUPPLIED BY CUSTOMER **FIELD-PAINTABLE ***CONTACT INNERSCENE FOR ANTI-MACROBIAL FINISH

DIMENSIONS & WEIGHT DETAILS



	300x600	600x600	300x1200	600x1200	450x1200
HOUSING/CUT-OUT LENGTH (A)	285mm	590mm	285mm	590mm	437mm
HOUSING/CUT-OUT WIDTH (B)	590mm	590mm	1190mm	1190mm	1190mm
DEPTH (C)	84mm	84mm	84mm	84mm	84mm
TRIM LENGTH(D) x WIDTH(E) - GRID CEILING	291 x 596	596 x 596	291 x 1196	596 x 1196	On Request
TRIM LENGTH(D) x WIDTH(E) - DRYWALL CEILING	298 x 603	603 x 603	298 x 1212	603 x 1212	450 x 1212
EFFICACY	60 lm/W	60 lm/W	60 lm/W	60 lm/W	60 lm/W
WEIGHT (KG)	3.3kg	10.9kg	11.4kg	19.8kg	15.6kg
SHIPPING WEIGHT (KG)	6kg	15.8kg	15.6kg	25kg	20.3kg

SPECIFICATIONS

CRI	91 - 97	MOUNTING ACCESSORIES (OPTIONAL)	GRID CLIPS KIT, JOIST MOUNTING KIT
R9	84 - 98	PERCEPTIBLE FLICKER	NO PERCEPTIBLE FLICKER, MEETS WELL V2 FEATURE 8 REQUIREMENTS
OPERATING VOLTAGE	110~277VAC 50~60HZ DC-COMPATIBLE	CAMERA FLICKER	40KHZ PWM DIMING ENSURES NO FLICKER EVEN ON MOBILE PHONE CAMERAS
POWER SUPPLY	INTEGRAL TO FIXTURE, 24VDC OUTPUT	RATED LIFE	L70 100,000 HOURS
OPERATING ENVIRONMENT	0° ~ +40°C, 30-70% RH, NON-CONDENSING	ENVIRONMENTAL RATING	IP20 STANDARD
INSULATION CONTACT	IC-RATED	WARRANTY	5 YEARS
COLOR TEMPERATURE	TUNABLE 2,200K TO 40,000K		
STANDARDS	TÜV CERTIFIED, ADHERES TO UL 1598 STANDARDS		
POWER FACTOR	>= 0.97		

DATE	PROJECT	SPECIFIER	TYPE
------	---------	-----------	------

POWER LEVEL

WELL v2 provides two methods for meeting glare requirements.

The first method involves calculating a UGR (Unified Glare Rating). UGR is only applicable to a specific space and configuration and requires the use of a lighting design software to calculate.

Fixtures that have a luminance value of 6,000 cd/m² or less do not require a UGR calculation. Innerscene provides 2 power levels for all fixtures.

The Full Power option provides the maximum light output for the fixture. The WELL Building Optimized option provides a lower maximum light output to meet the WELL v2 glare requirements without the need for a UGR calculation.

Visit our [download page](#) to obtain IES and LDT files used to calculate UGR values in lighting design software.

	300x600	600x600	300x1200	600x1200	450x1200
FULL POWER					
WATTAGE	35	45	45	75	45
MAX cd/m²	18702	9956	11071	7640	7523
MAX LUMENS	2030	2610	2610	4350	2610
WELL OPTIMIZED					
WATTAGE	12	28	25	59	36
MAX cd/m²	5931	5996	5978	5990	5984
MAX LUMENS	696	1624	1450	3422	2088

FEATURES

Dual-reflectance technology

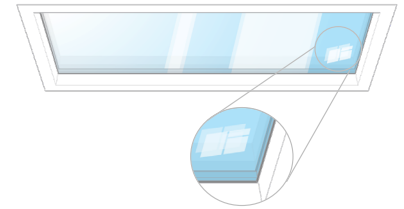
Circadian Sky expertly replicates the characteristics of a double-pane window, employing advanced reflective technology to foster a heightened sense of depth and realism.

Through the integration of a highly reflective light guide panel, a secondary reflection is induced, mimicking the distinctive double reflections found in traditional windows and enhancing the spatial perception of your environment.

DUOGLASS™

Innerscene proprietary multilayering of our ATMOS PLATFORM™ and ANSI-rated tough tempered glass, when combined with an integral deep regress, our Circadian Sky fixture is not only highly durable but also looks incredibly realistic when compared to a traditional double-glazed sky light.

GLASS SAFETY STANDARDS : ANSI Z97.1-2015: SAFETY GLAZING

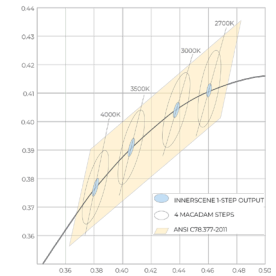


ATMOS PLATFORM™

Innerscene proprietary ATMOS PLATFORM™ has been in development for nearly a decade and comprises a mix of specially selected light sources providing a natural sky experience that mimics outside conditions from a warm amber of sunrise and sunset to true tones of a deep blue tropical skies while keeping color accurate throughout. The ATMOS PLATFORM™ runs on our custom logic board designed to suit the needs of installations with a variety of lighting controls such as 0-10V, DMX, DALI or Casambi.

TRUSKY™

Innerscene proprietary TRUSKY™ is able to deliver an industry first single-step MacAdam ellipse using specially calibrated industrial metrology devices to deliver accurate and consistent colors, far above the industry standard of 3-steps.

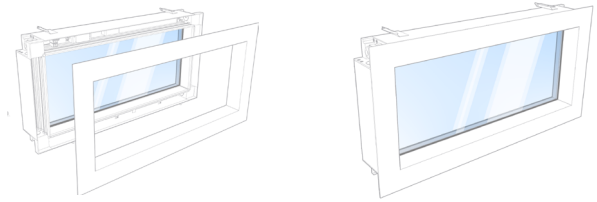


TRIM

Field-paintable seamless uniframe

Circadian Sky's seamless uniframe design integrates the entire front face and trim of the fixture into a single seamless snap-fit metal piece that can be easily handled on site.

The seamless uniframe allow for effortless tool-less installation and servicing of the fixture.



Trim finishes



WHITE RAL9010*

A standard trim finished in white RAL9010 coating.



CUSTOM

Any color/coating to match specific needs (e.g., anti-microbial, RAL9016 30% glass).

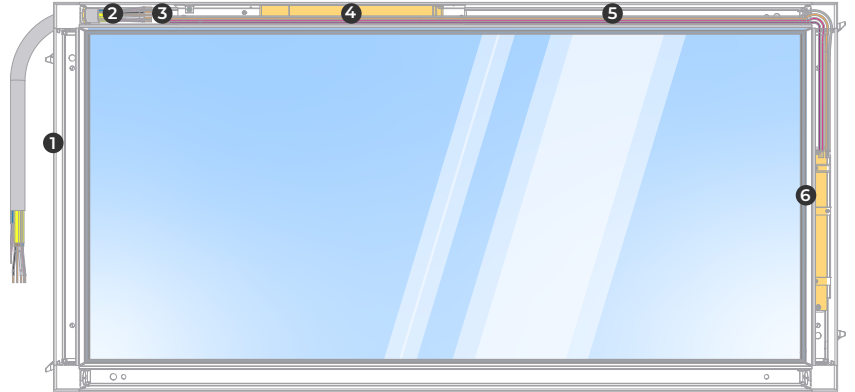
All trims are designed to be field-paintable, ensuring seamless integration into diverse design visions.

DATE	PROJECT	SPECIFIER	TYPE
------	---------	-----------	------

WIRING

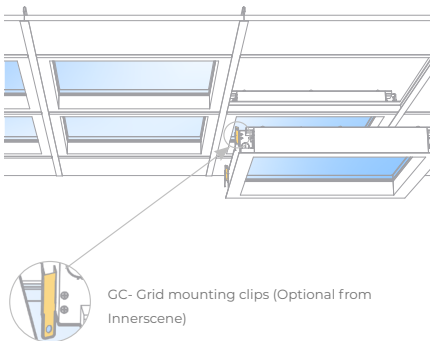
Below are the detailed wiring components and electrical elements of Circadian Sky:

1. Power or Control Wires Romex NM-B (Compatible with FMC)
2. Wire Connector to Fit 1/2" K.O. (Up To 8 x 1/2" K.O. Provided)
3. Wago Wire Connector (Supplied)
4. Power Supply (Supplied)
5. Dimming Wires (2 Channels 0-10V Shown)
6. Innerscene Circadian Sky Logic Board

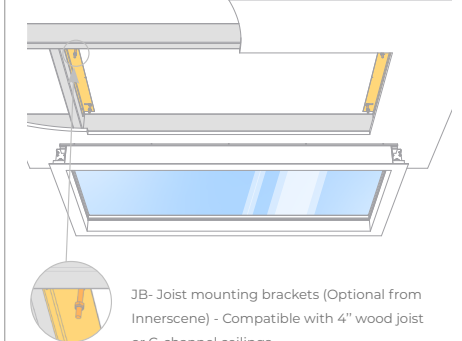


INSTALLATIONS

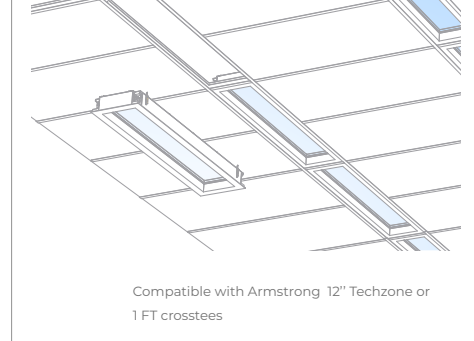
GRID CEILING



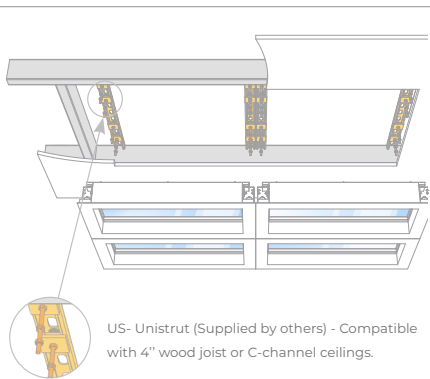
HARD CEILING



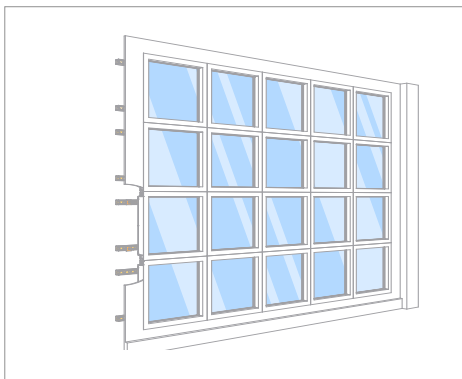
ARMSTRONG TECHZONE



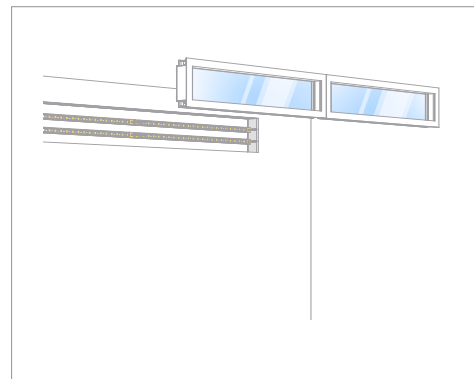
HARD CEILING ARRAYS



WALL INSTALLATION

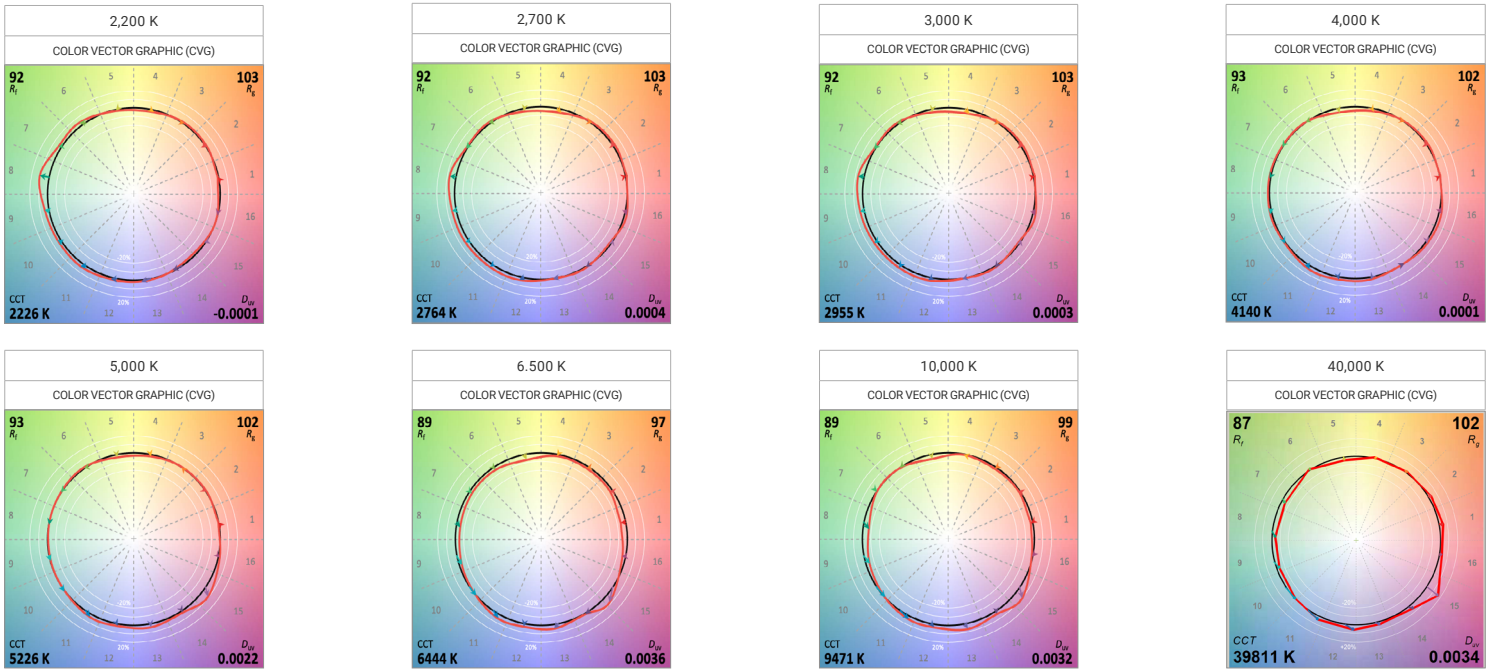


CELESTORY INSTALLATION

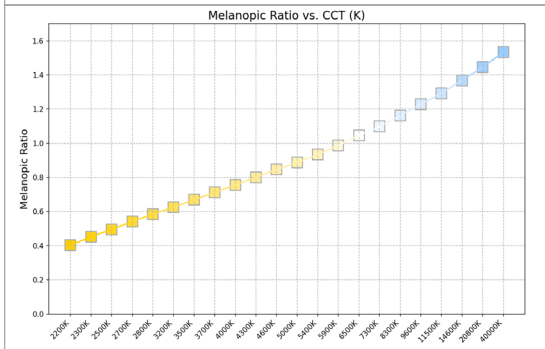


DATE	PROJECT	SPECIFIER	TYPE
------	---------	-----------	------

TM30 COLOR FIDELITY



MELANOPIC RATIO VS. CCT [K]

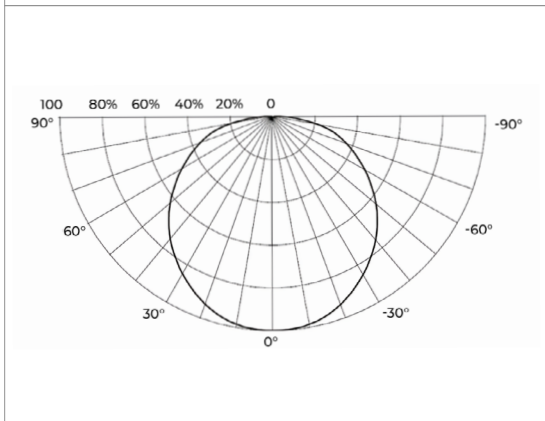


View the M/P (Melanopic) Ratio and EML for each CCT at varying intensities in the table below

CCT	2,200K	2,700K	3,000K	3,500K	4,000K	5,000K	6,500K	10,000K	40,000K
M/P Ratio	0.4	0.5	0.6	0.7	0.8	0.9	1.0	1.3	1.6
EML (250 lux*)	101	137	150	168	190	222	260	310	383
EML (30 lux)	12	16	18	20	23	27	31	37	46

*Recommended stimulus target according to Circadian Lighting feature in the IWBI's

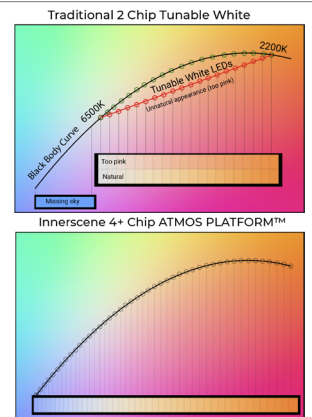
PHOTOMETRIC DISTRIBUTION POLAR CURVE



ATMOS PLATFORM™ 4+ CHIP COLOR SYSTEM

The ATMOS Platform in Circadian Sky features a four-chip LED system designed for high Color Rendering Index (CRI) and precise chromaticity control. This system uses four different LED chips/ colors to achieve accurate CIE xy coordinates, closely following the daylight locus and blackbody curves over a broad range from 2200K to 40000K.

In comparison, traditional two-chip tunable white systems incorporate only two types of white LEDs. These systems provide limited adjustable color temperature but lack the comprehensive CRI and exact CIE xy point control offered by the four-chip configuration in the ATMOS Platform. This design enables a lighting experience that more accurately replicates the variability, color, and spectrum of natural daylight.



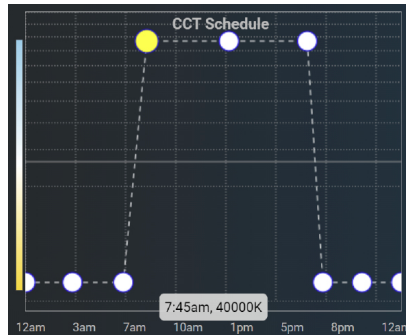
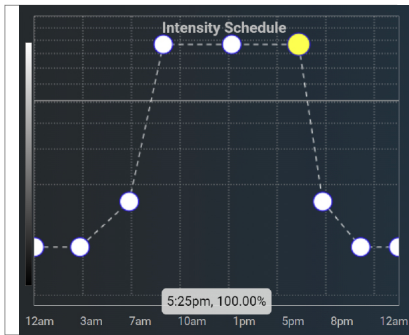
DATE	PROJECT	SPECIFIER	TYPE
------	---------	-----------	------

PROGRAMMING CODE

Programming Codes are used to load predefined settings and schedules onto Primary fixtures prior to shipping and on site. (*)
P0000 - Dimmer Only. When selected Primary fixtures will only respond to external dimmer controls (0-10V, DMX, DALI, Casambi).
P0002 - Default programming. Learn more by visiting <https://innerscene.com/programCode?code=P0002>

Find/create other programming schedules by visiting <https://innerscene.com/programCode>
 * Secondary fixtures use Innerscene's wireless synchronization to mirror the primary unit when set to the same zone.

PROGRAMMING CODE EXAMPLE FOR P0002 :



Wireless Group

Idle resume

Power On State

Active Days

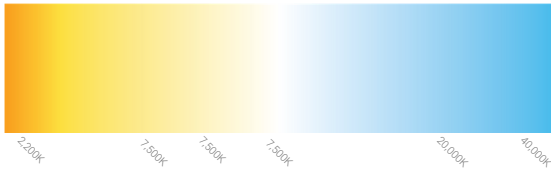
Schedule relative to Clock Sunrise

Timezone

COLOR TEMPERATURE RANGE

Colors of white light are referred to as CCT in Kelvin, lower numbers are warmer tones, higher numbers are cooler or bluer tones. There is no upper limit of Kelvin. However, in Non-Innerscene products may have blue skies with low color rendition leading to color casts which can be unpleasant.

- 40,000K : Innerscene's deepest blue sky
- 20,000K : Blue Sky
- 6,500K : Pure White - highest color temperature for commercial lighting
- 3,500 - 4,000K : Commercial White
- 2,700 - 3,000K : Warm White - comparable to bright incandescent lamps
- 2,200K : Warmest hues of sunrise or sunset



SPECTRAL INFORMATION

