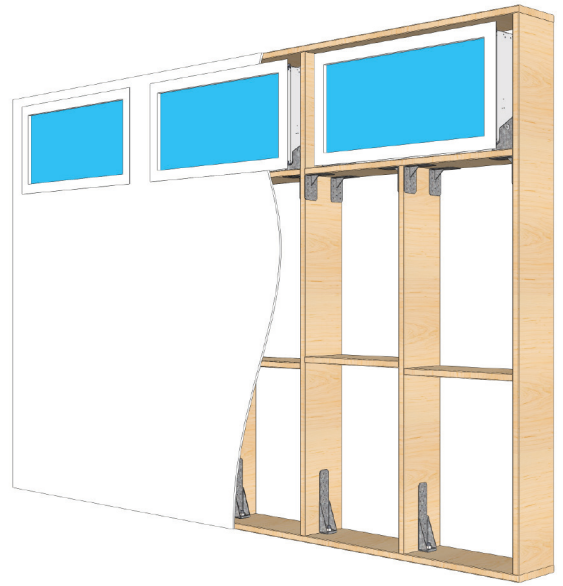
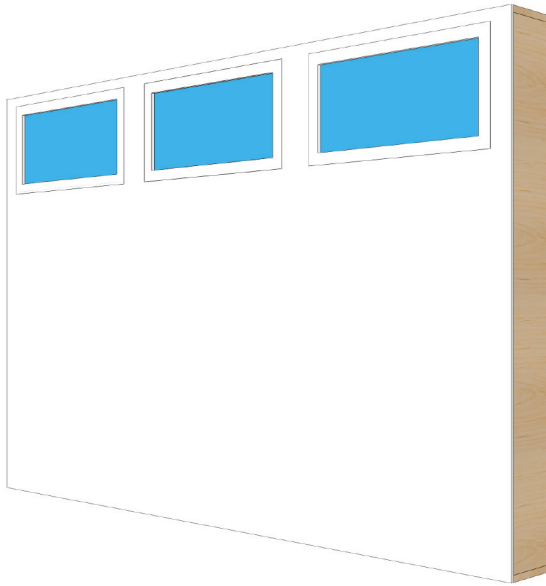
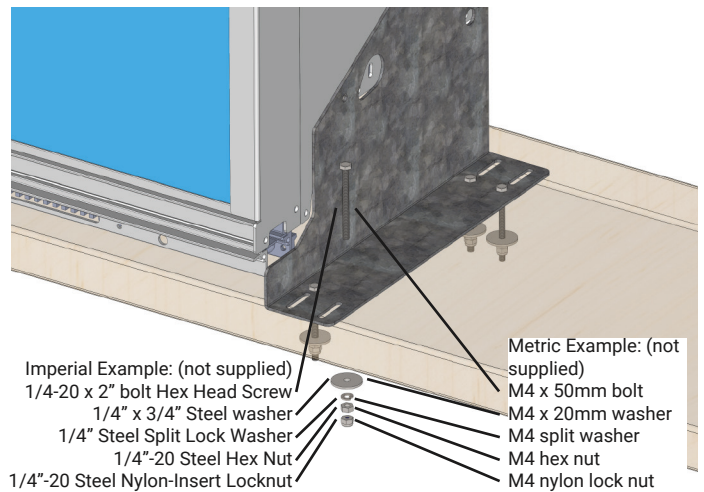
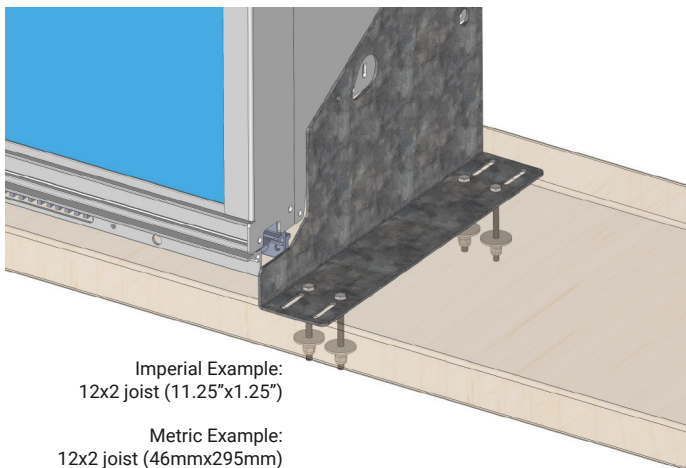


A7 Vertical Mounting instructions

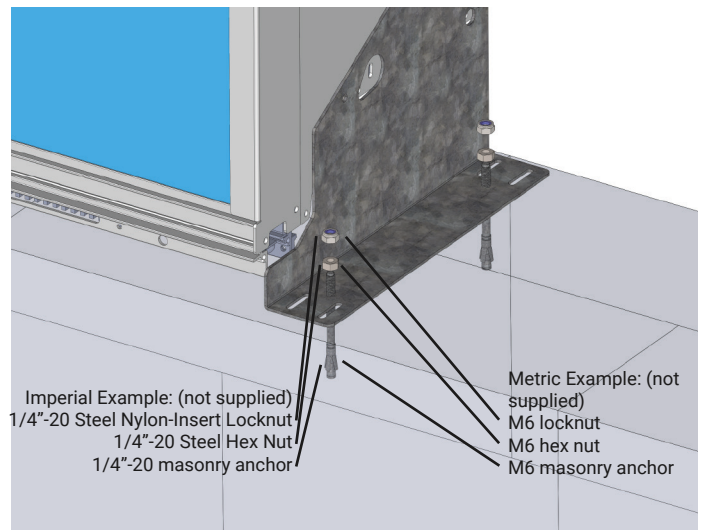
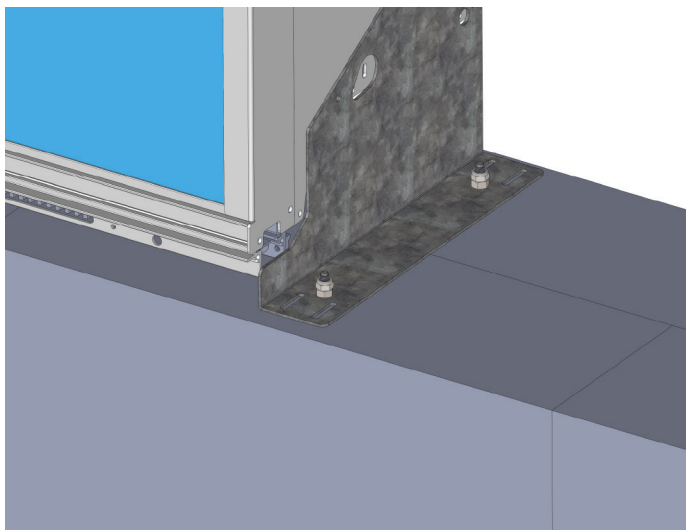


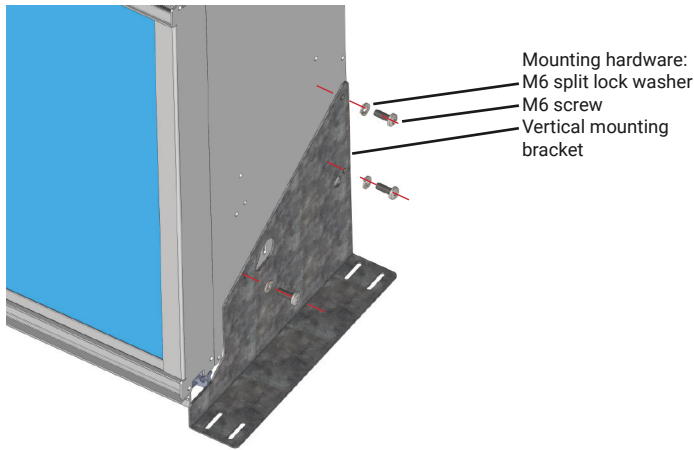
Prepare a wall with sufficient strength to support the fixtures (refer to Spec Sheets for dimensions and weights). It is recommended to locate the fixture above eye level for a more convincing viewing experience.

Suggested mounting method for wood/timber stud walls



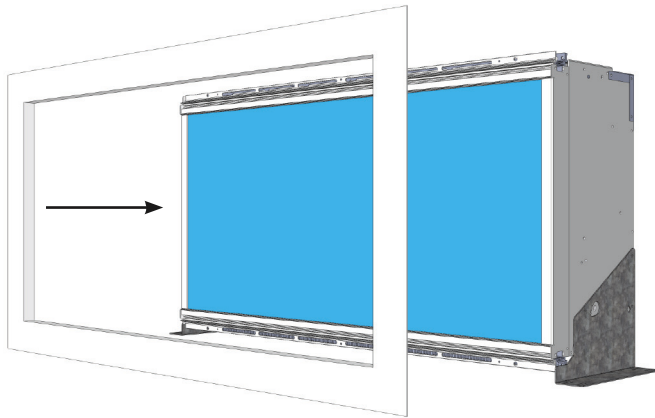
Suggested mounting method for breeze blocks or concrete or masonry





Attach the vertical mounting brackets with the 6x M6x16mm bolts and anti-vibration washers.

Installing the Flush Bezel Trim with Plasterboard/Drywall



Once the drywall has been finished. Using a long nose (needle nose) plier. Grab one of the four aircraft wires hanging from the fixture and pull it outwards and slot into the slots on the Bezel Trim. The wires are spring loaded and will pull up the trim.

